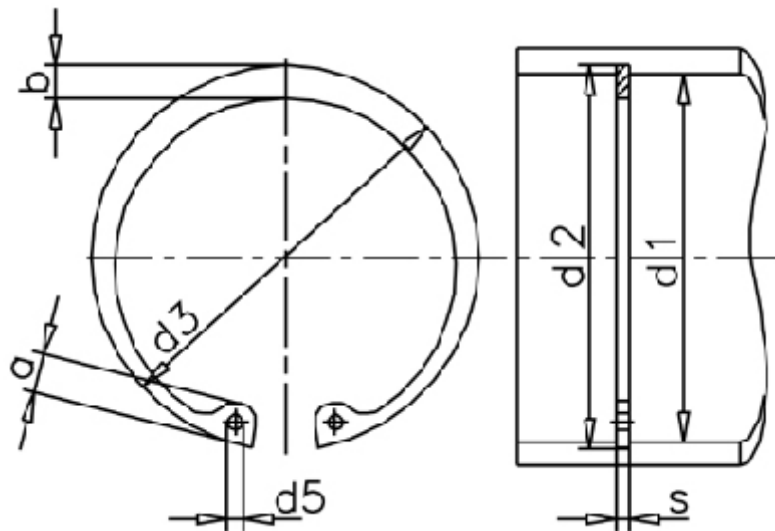


Article number: 0102198

Description: Retaining ring J300 DIN472
Spring steel

Measures



a max	= 16.2	FN kN	= 636.00	t	= 4.00
AN mm ²	= 3820.0	FRg kN	= 69.0	tol	= +0,81
b	= 16.0	FR kN	= 466.0	tol	= +2,00-0,81
d1	= 300	g	= 4.0	tol	= -0.12
d2	= 308.0	K kN-mm	= 1068.0	Tong	= ZGJ-5
d3	= 315.00	m min	= 5.15	Weight kg/1000	= 435.00
d5 min	= 5.0	Nominal drive	= 12.0		
Description = J 300		s	= 5.00		